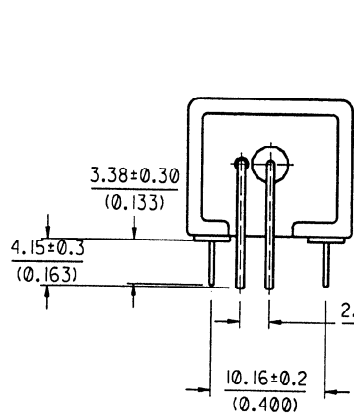
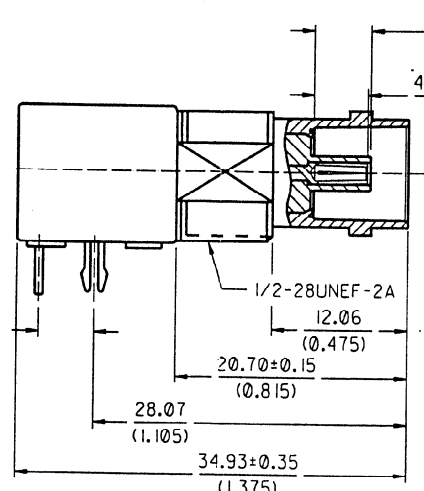


8 7 6 5 4 3 2 1

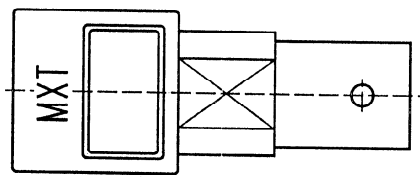
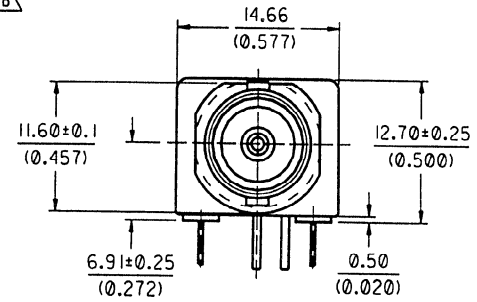
ENC. NO SDA-73101-0120  
 EDP NO.  
 SIMILAR ITEM 73101-0040  
 CADFILE NO. S1010120.DGN  
 DO NOT SCALE DRAWING



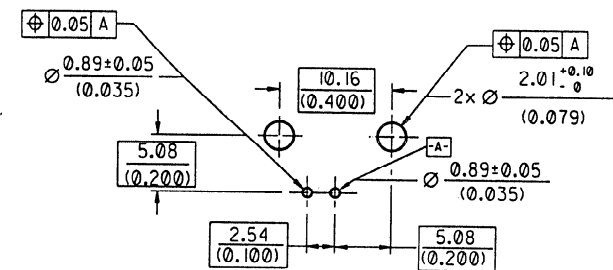
LEADS ARE TO BE ADJUSTED TO FIT PCB PATTERN



BODY



TOP VIEW



RECOMMENDED PCB HOLE CONFIGURATION

**CONSTRUCTION:**

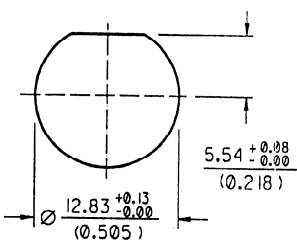
BODY-----ZINC ALLOY  
 CENTER CONTACT---PHOSPHOR BRONZE  
 DIELECTRIC-----POLYPROPYLENE (94V2)  
 BOARD LOCK-----PHOSPHOR BRONZE  
 SOLDER TAIL-----COPPER OVER STEEL

**MATERIALS AND FINISH:**

BODY-----NICKEL PLATING  
 CENTER CONTACT---GOLD PLATING (10U')  
 SOLDER TAIL-----TIN PLATING  
 BOARD LOCK-----TIN PLATING

**MECHANICAL AND ELECTRICAL CHARACTERISTICS:**  
PER PRODUCT SPECIFICATION PS-73598-0051

**PACKAGING:**  
TRAY



RECOMMENDED MOUNTING HOLE  
 MAXIMUM PANEL THICKNESS: 5.40 (0.216)  
 RECOMMENDED MOUNTING TORQUE:  
 12 INCH-POUNDS MAX.

				MATERIAL : SEE NOTES		<b>MOLEX TAIWAN LTD. (R.F. DIVISION)</b>
				FINISH : SEE NOTES		
				SCALE : 2.5 : 1 UNIT : mm(INCH)		GENERAL TOLERANCES
				DRAWN BY : LYNN LING 96/07/12		ANGLE : ± 3° DIM. ± 0.25 (±.01)
B	RELEASE TO MFG.	0971	LYNN	97/03/10	CHK'D BY :	DRW. NO.: SDA-73101-0120
A1	TOOLING RELEASE	0879	LYNN	96/09/10	APPR'D BY :	REV B
LTR	REVISION RECORD	ECN	DR	DATE	TITLE : 75 OHM BNC R/A PCB RECEPTACLE (DIE CAST)	
STANDARD ITEM				<input type="checkbox"/> YES <input checked="" type="checkbox"/> NO		SHEET 1 OF 1

THIS DRAWING CONTAINS INFORMATION THAT IS PROPRIETARY TO MOLEX TAIWAN AND SHOULD NOT BE USED WITHOUT WRITTEN PERMISSION MXT , So - 13